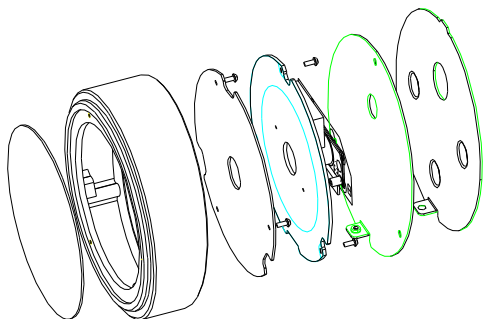
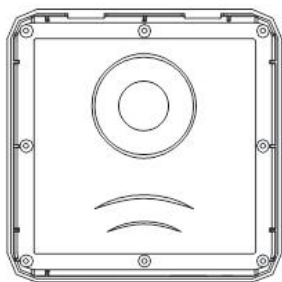




Instructions of QR code Access Device



AC800 Access Control



AC600 Access Control

Use environment



notice

- The installation wall shall have a certain thickness and can bear at least 3 times the weight of QR code access device
- 86 cassette shall be installed first, and then installed hanging wallboard
- If it is a wooden wall, it can be installed directly with self tapping screws.

Installation precautions

- Before installation, confirm that the power system of the device is turned off during installation.
- unused of all wiring terminals, Please do not expose the wire, It may cause short circuit damage to the line.
- The power supply is far away from the device. It is strictly prohibited to use network cable and other special wires to replace the power wires. When selecting the power wires, the voltage attenuation caused by excessive transmission shall be considered.
- When wiring the qr code access device, main board and scanner are burned out due to abnormal wiring, resulting in the failure of normal use of the device, which is not within the scope of warranty

- It is installed on the outside of the door, generally on the side where the door is opened, and the installation height from the ground is 1.4 ~1.5m, which is more suitable.

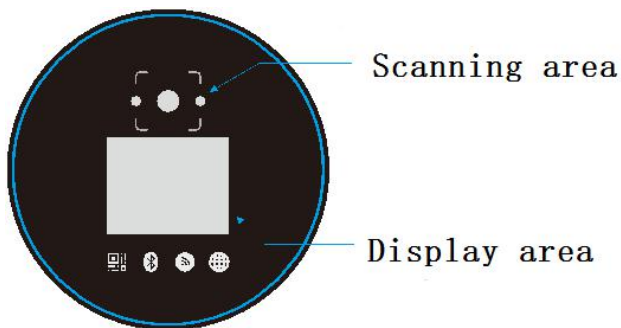
Product structure, specification and function

(1) Technical parameter

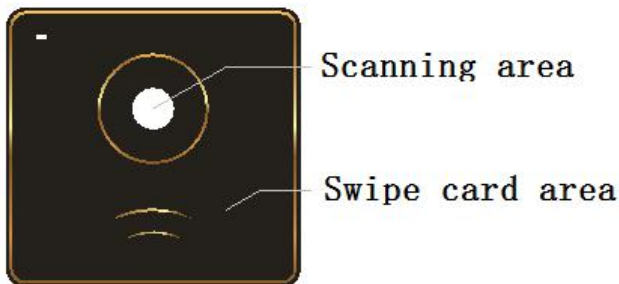
Memoery	85000 people, 100000 events
Speed	Qrcode <0.5s , card<0.1s
Communication mode	TCP / IP, scalable WiFi / 4G / Lora A
Offline running	Support
Input / output port	2 relay outputs, Wiegand output, exit button input, door magnetic input and alarm input
Safety protection	Input overcurrent protection Instantaneous overvoltage protection
Power supply	Voltage 9-28VDC, Current<1A
Product size	Diameter 110 mm, thickness 25-34.62 mm
Weight	400g
Work environment	Hmidity 5%~95% , Temperature -20°C~60°C

(2) Appearance

Model 1



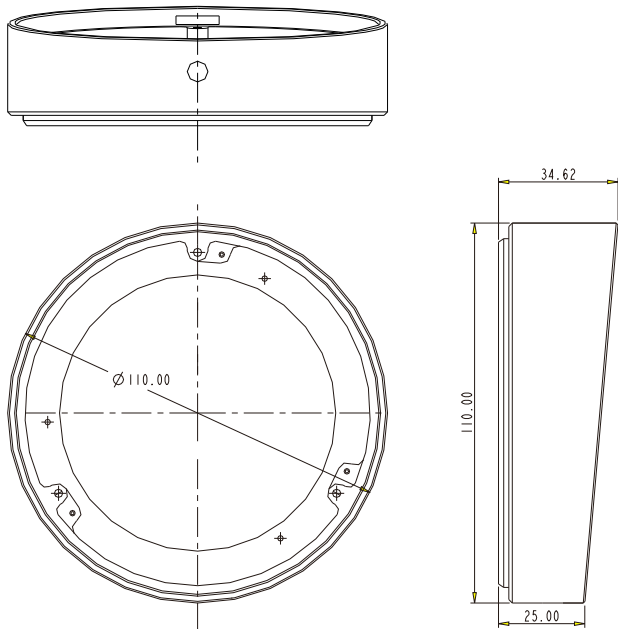
Model 2



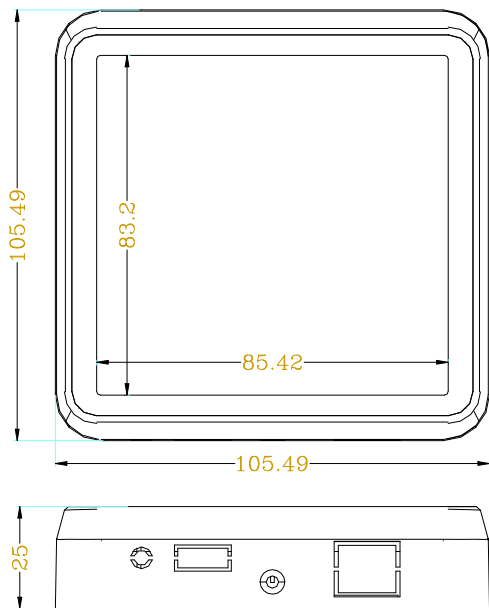
- Scanning area Scan the QR code here to open
- Swipe card area Swipe card here to open。
- Display area Display qrcode or other information

(3) QR code device structure unit (mm)

Model 1



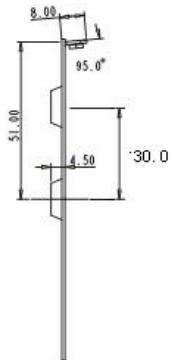
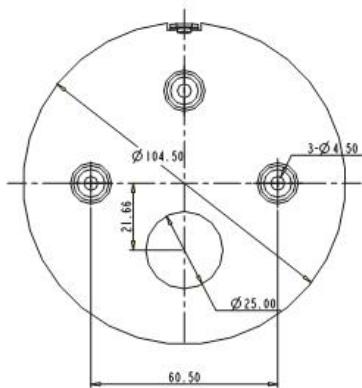
Model 2



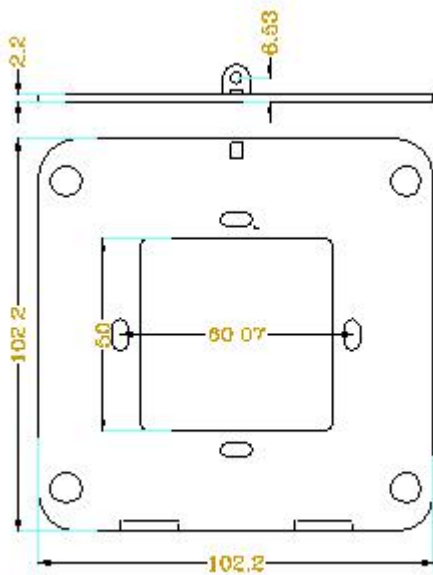
(4) Hanging wallboard structure

unit (mm)

Model 1



Model 2

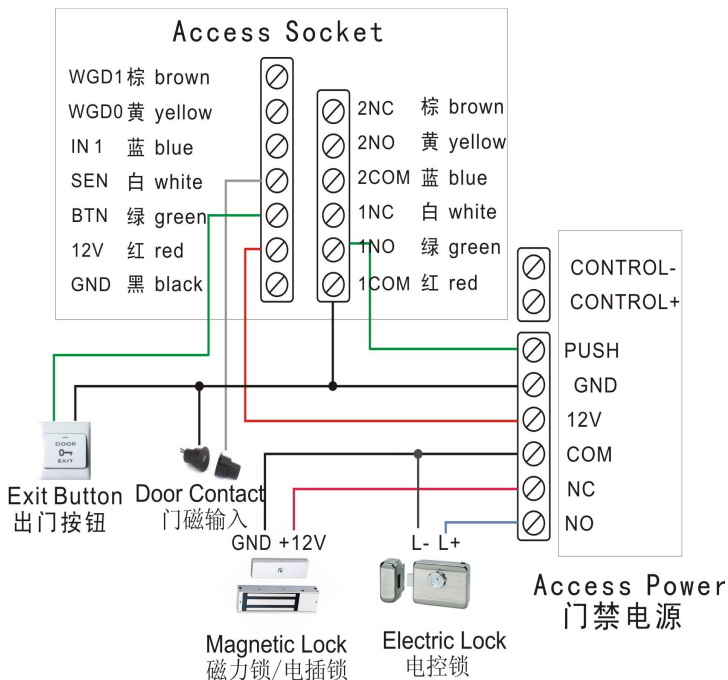


(5) Terminal block identification

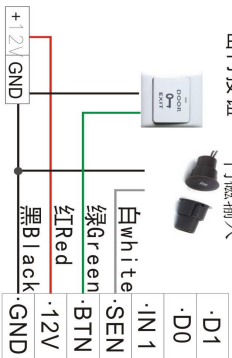
标识	7P 说明		标识	6P 说明
WGD1	韦根 D1 输出 (棕)		2NC	常闭端扩展 (棕)
WGD0	韦根 D0 输出 (黄)		2NO	常开端扩展 (黄)
IN1	自定义输入 (蓝)		2C	公共端扩展 (蓝)
SEN	门磁输入 (白)		1NC	控锁常闭端 (白)
BTN	出门按钮输入(绿)		1NO	控锁常开端 (绿)
12V	电源输入 (红)		1C	控锁公共端 (红)
GND	电源地 (黑)			

Symbol	7P Specify	Symbol	6P Specify
WGD1	Wiegand_D0 Brown	2NC	Relay2_Close Brown
WGD0	Wiegand_D0 Yellow	2NO	Relay2_Open Yellow
IN1	User_Input Blue	2C	Relay2_COM Blue
SEN	DoorContact White	1NC	Relay1_Close white
BTN	Exit_Button Green	1NO	Relay1_Open Green
12V	12VDC_Power Red	1C	Relay1_COM Red
GND	Power_Gnd Black		

(6) Wiring diagram



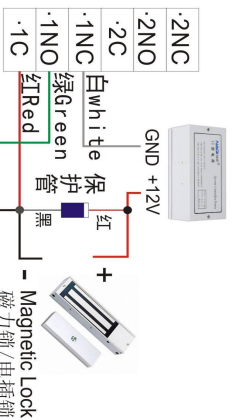
Exit Button 出门按钮
Door Contact 门磁输入



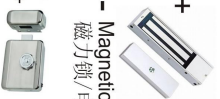
Device Power
设备电源



Switch Power
锁开关电源



Magnetic Lock
磁力锁/电插锁



Electric Lock
电控锁

