



YidaScan Industrial WS88-2D
Handheld Wireless 2D Barcode Scanner
Specification

Disclaimer

Please read through the manual carefully before using the product and operate it according to the manual. It is advised that you should keep this manual for future reference.

Do not disassemble the device or remove the seal label from the device, doing so will void the product warranty.

All pictures in this manual are for reference only and actual product may differ. The information contained herein is subject to change without prior notice.

The products depicted in this manual may include software copyrighted by Shenzhen YIDA Auto-ID Technology Co., Ltd. or third party. The user, corporation or individual, shall not duplicate, in whole or in part, distribute, modify, decompile, disassemble, decode, reverse engineer, rent, transfer or sublicense such software without prior written consent from the copyright holders.

This manual is copyrighted. No part of this publication may be reproduced, distributed or used in any form without written permission from YidaScan.

Service

If you need more technical support, please call or email us. Visit our website to learn more:

www.yidascan.com

Version

Version	Description	Date
V1.0	Initial Version	2021-06-05
V1.1	Add Structure Diagram	2021-10-16
V1.2	Optimize Depth of Filed	2021-12-25
V1.3	Add Wire Diagram	2022-06-11

Content

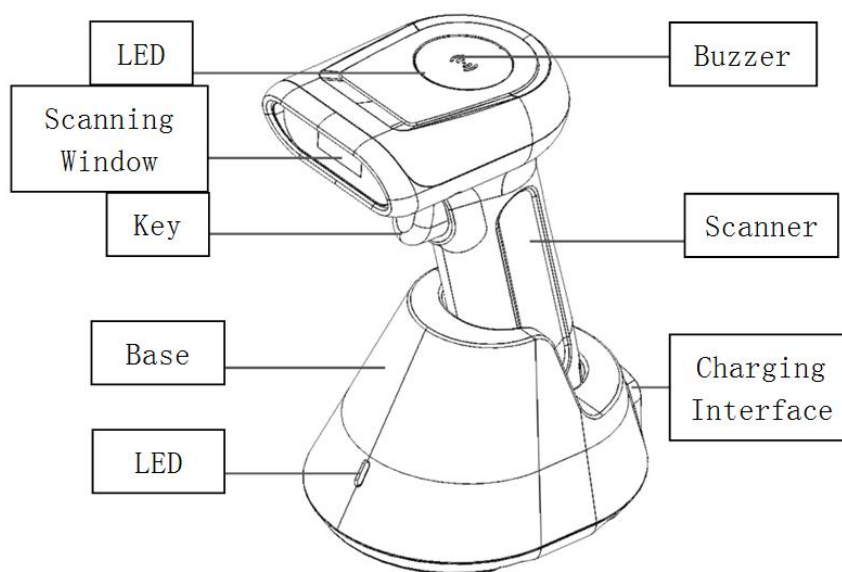
Introduction	6
Appearance	7
Production Features	8
Application	9
Communication Port	10
Wire Interface	10
Wire Drawing	11
Structure Dimension	12
Performance	13
Wireless Parameters	14
Mechanical/Electrical Parameters	15
Working Environment	15
Spare Part List	16
Depth of Field	17

Introduction

WS88-2D is an industrial handheld wireless 2D barcode scanner. It can scan barcode on media such as paper, commodities and screens with excellent reading performance. This product uses wireless 2.4G and Bluetooth 4.2 transmission technology. The outdoor transmission distance can achieve 60 meters with 2.4G mode. The outdoor transmission distance can achieve 30 meters with bluetooth mode. The scanner is mainly used for phone payment, supermarket and stocktaking.

Appearance

The following picture shows the appearance of WS88-2D. There are LED light and buzzer on the product. The scanning window is used for scanning barcodes. There are some other components such as wire interface and key.



【WS88-2D Appearance】

Attention:

- > In order to maintain the excellent reading performance of the scanner, please keep the product clean.
- > Please use soft cloth to clean the window. Do not spray any liquid on the window.

Production Features

- >It is anti-drop and anti-vibration with highly integrated Two-dimensional decoding structure.
- >It can easily identify all mainstream 1D and 2D barcodes in the market with high-performance MCU.
- >It can read barcodes above 3MIL to meet daily scanning needs.
- >It can easily read barcodes on paper, printing, plastic and screen with 2D imaging technology.
- >It supports a variety of working modes (manual, induction, Continuous, Flashing) to meet different reading needs.
- >The outdoor transmission distance can achieve 60 meters with wireless 2.4G transmission technology.
- >It supports HID, SPP and BLE modes with Bluetooth 4.2 technology.
- >It supports instant mode and storage mode. It can store 20,000 barcodes.
- >It has a charging base, which is used to charge and communicate.
- >It has vibration function for prompt.

Application

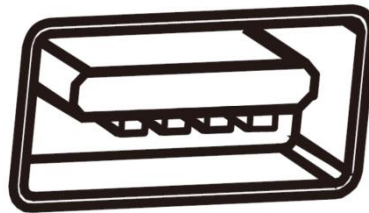
Mobile payment, card voucher verification, chain retail, manufacturing, storage and logistics, warehouse management, food traceability, power meter reading, asset inventory, medical and health care.



Communication Port

The wireless scanner must be connected to a host to operate, and the host can be a PC, Android host, or any other intelligent terminal device with a USB or Bluetooth interface.

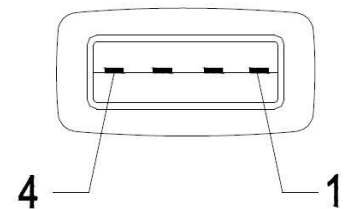
Host USB interface 【USB female】



Wire Interface

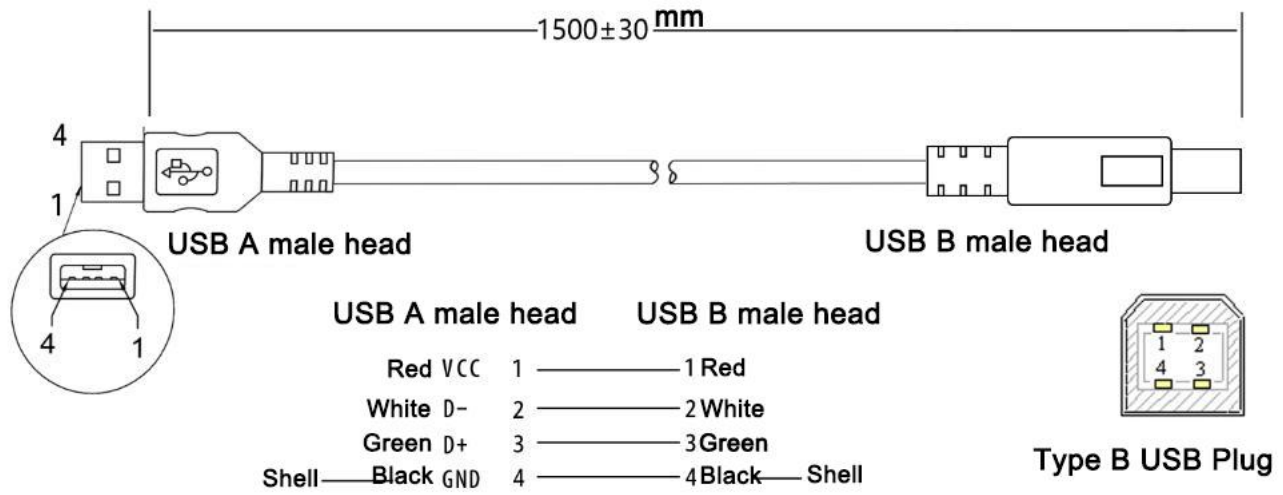
USB

Pin No.	Function
1	Vcc
2	D-
3	D+
4	GND



Wire Drawing

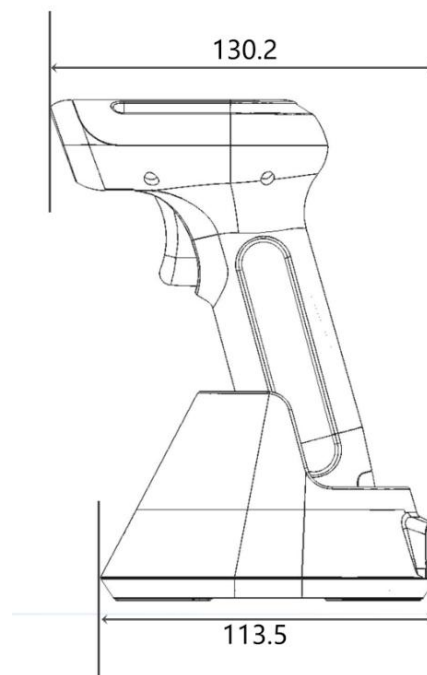
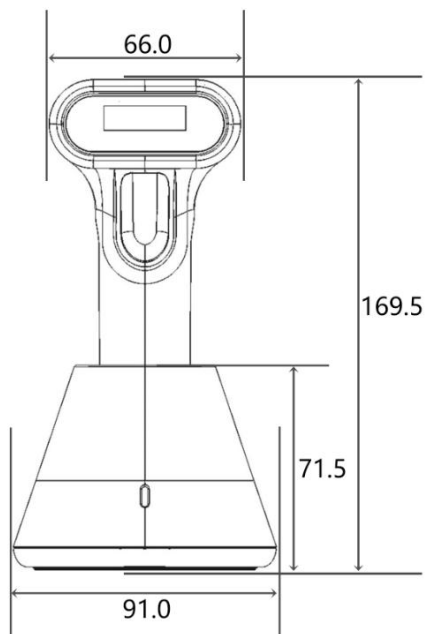
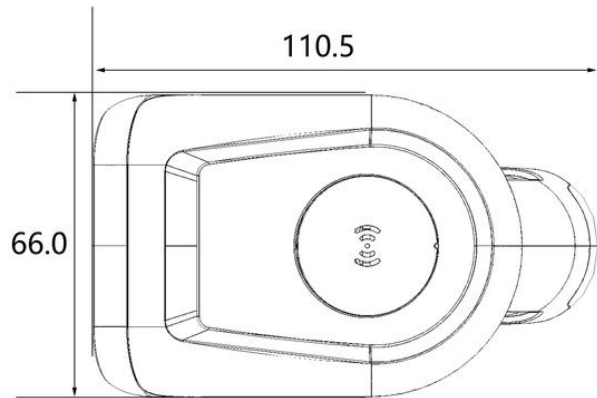
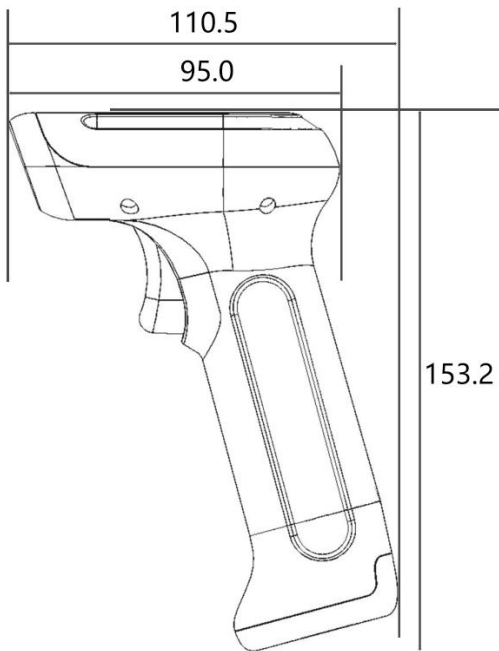
USB (Type B)



Note: The wire can be used for charging and communication.

Structure Dimension

Unit: mm



Performance

Model	YidaScan WS88
Communication Mode	2.4G Wireless, Bluetooth 4.2
Sensor	CMOS, Global Shutter
Pixel	1 million megapixel, 1280*960
Light	White LED
Reading Precision	≥3mil/0.076mm (PCS90%,CODE 39)
Depth of Field	70mm~750mm
Decoding speed	65CM/S
Scanning Mode	Manual, Induction
Prompt Mode	LED, Buzzer, Vibration
Perspective	H40°(Horizontal) * V30°(Vertical)
Reading Angle	Roll: ±360°, Pitch:±60°, Skew: ±55° CODE39,10mil/0.25mm,PCS90% (Test Conditions)
Print Constrast	≥20%
Ambient Illumination	Dark Environment, Indoor Natural Light
Symbologies	1D: UPC-A, UPC-E, EAN-8, EAN-13, Code 128, GS1-128, Code 39, Code 32, Code 93, Code 11, Interleaved 2 of 5, Matrix 2 of 5, Industrial 2 of 5(Straight 2 of 5), Standard 2 of 5(IATA 2 of 5), Codabar(NW-7), MSI, GS1 Databar(Omnidirectional, Limited, Expanded), China Post, Telepen,

	<p>Febraban, GS1 Composite etc.</p> <p>2D: QR Code, Micro QR Code, Data Matrix, PDF417, Micro PDF 417, MaxiCode, Aztec, HanXin Code, etc.</p>
--	---

Wireless Parameters

Wireless Communication Mode	Synchronization mode, storage mode
Method of Communication	2.4G, Wireless Bluetooth (HID, SPP, BLE)
Wireless Standard	2.4G, Bluetooth 4.2
Transmit Distance	≈60meters 2.4G; ≈30meters Bluetooth 4.2
Storage Capacity	350Kb (over 20,000 Product code)
Battery Capacity	4800mAh
Charging Time	About 8 hours(5V@1000mA)
Continuous Scan Time	≥60hours
Standby Time	≥4 Weeks
Operating System	Windows, Android, Mac OS, IOS, Linux, Unix

Mechanical/Electrical Parameters

Net Weight	228g(Scanner); 216g(Base)
Gross Weight	710g
Product Dimension	153.2mm(L) * 66.0mm(W) * 110.5mm(H) (Scanner)
	113.5mm(L) * 91.0mm(W)* 71.5mm(H) (Base)
Packed Dimension	230mm(L) * 130mm(W) * 132mm(H)
Wire Length	1.5 meters
Interface Type	USB (Type B)
Power Input	DC 5V 1A
Current	280mA (Average Work)

Working Environment

Working Temperature	0°C to 50°C
Storage Temperature	-20°C to 60°C
Working Humidity	5% to 95% (Non-Condensing)
Transportation Vibration Test	10H@125RPM

Spare Part List

USB Cable	It is used for connecting Scanner and Host to communicate and charge.
Base	It is used for charge and communication.
Operating Guide	It is used for common function settings.

****Note: Select different cables according to different interface.****

Depth of Field

Barcode Type	Barcode Density	Minimum	Maximum
Code 39	0.075mm(3mil)	80mm	190mm
Code 39	0.25mm(10mil)	80mm	420mm
UPC/EAN	0.33mm(13mil)	70mm	550mm
WeChat Payment QR Code	6 inches Screen	70mm	650mm
Alipay Payment QR Code	6 inches Screen	70mm	750mm

****Testing Conditions: Environment Temperature = 24°C, Ambient Light Illumination = 300LUX;**

Testing Barcodes Will Be Provided By YidaScan**

****Notice: There will be no announcement if changing parameters****

****Shenzhen YIDA Auto-ID Technology Co., Ltd. has the final right to interpret this parameter****